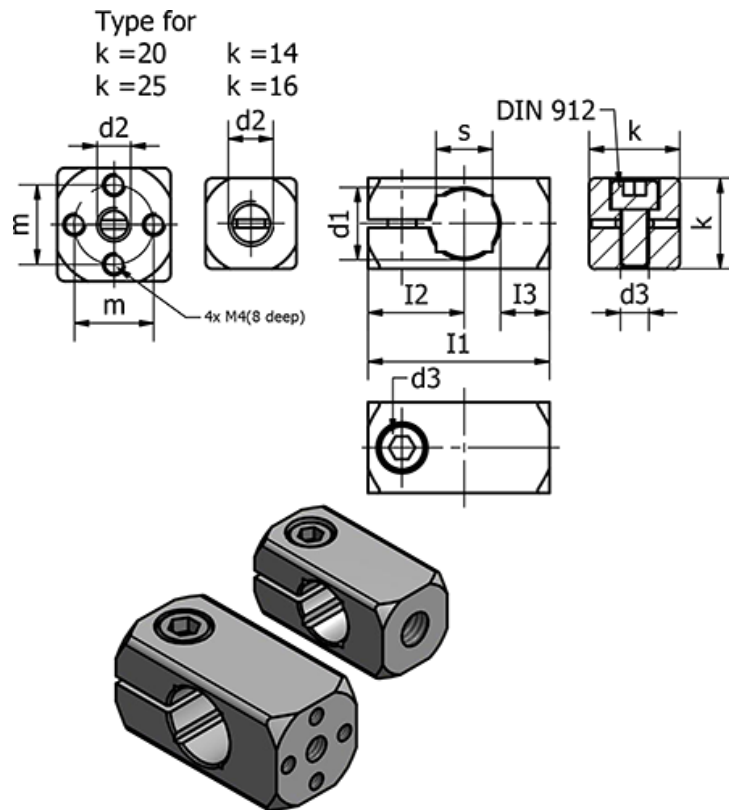


Article number: 20478B16M8ELS

Description: E+G Clamp mounting - GN 478-B16-M8-ELS

Measures



Clamping kit for $d_2 =$ GN 511-M6-20	m	$= 14$
d_1 h11	$= 16$	s
d_2	$= M8$	Weight (g) = 30
d_3	$= M6$	
I_1	$= 40$	
I_2	$= 20.5$	
I_3	$= 11.5$	
k	$= 20$	